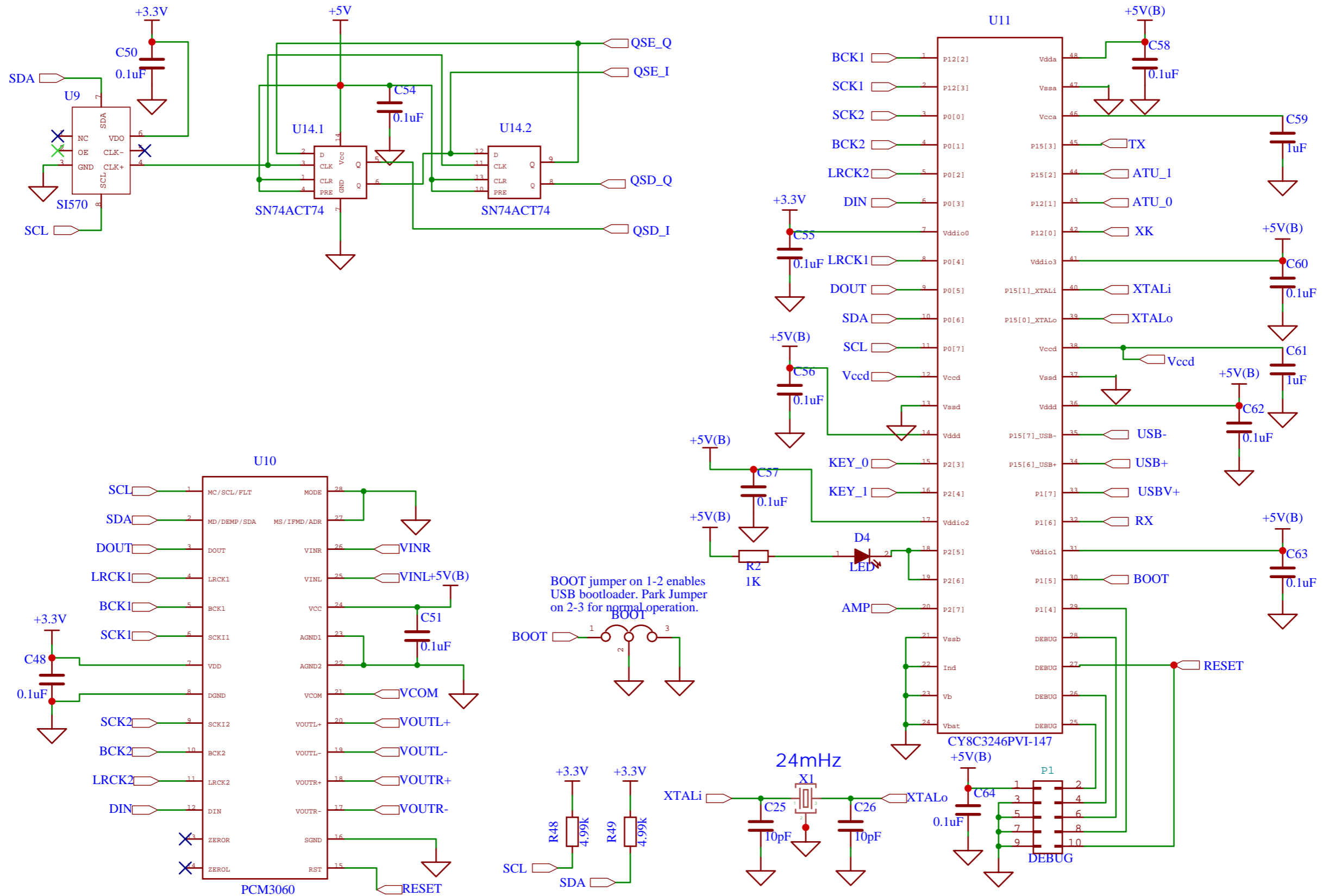
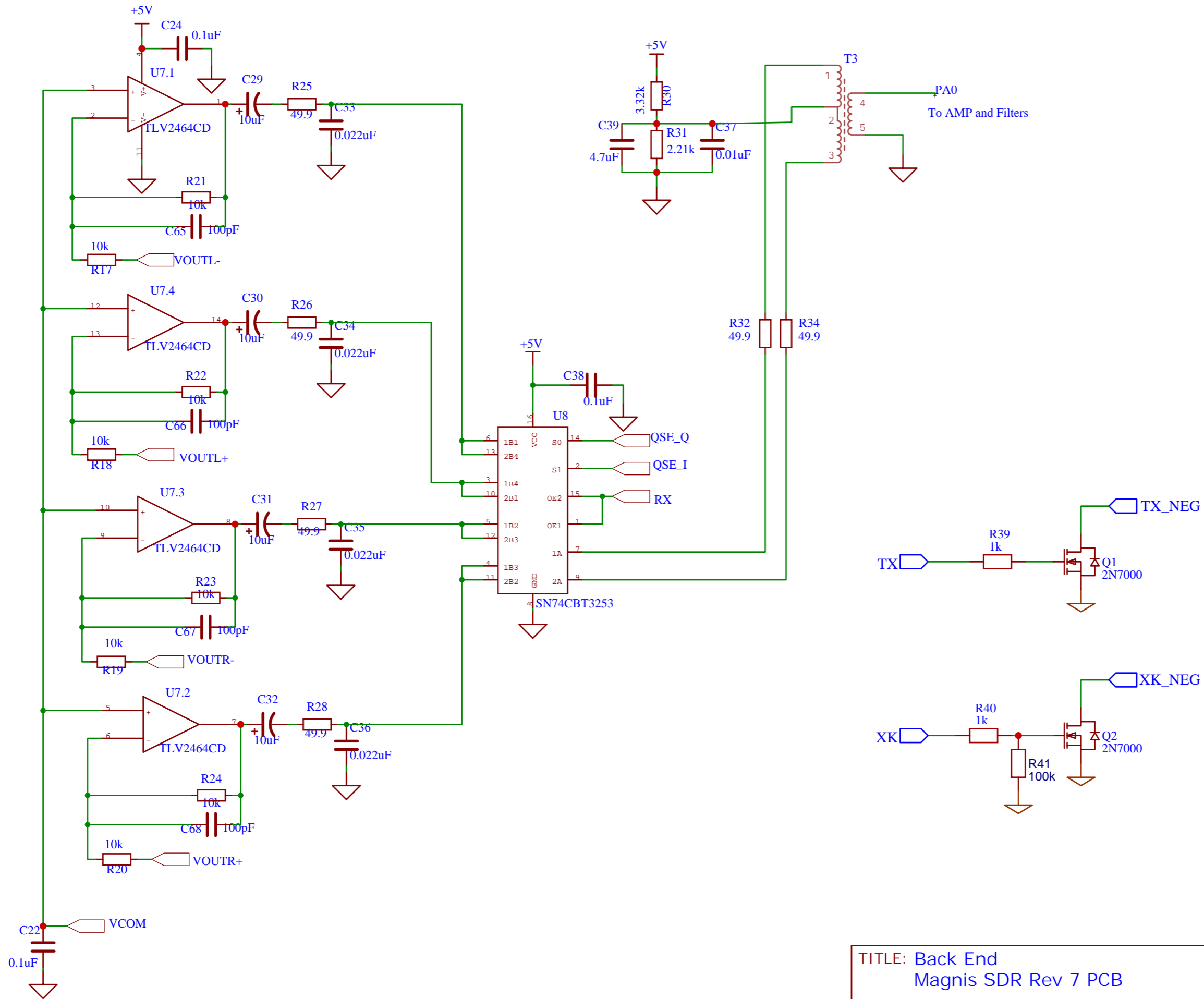


TITLE: Front End Magnis SDR Rev 7 PCB		REV: 1.0
EasyEDA	Company: N8VET	Sheet: 1/5
	Date: 2021-03-10	Drawn By: N8VET

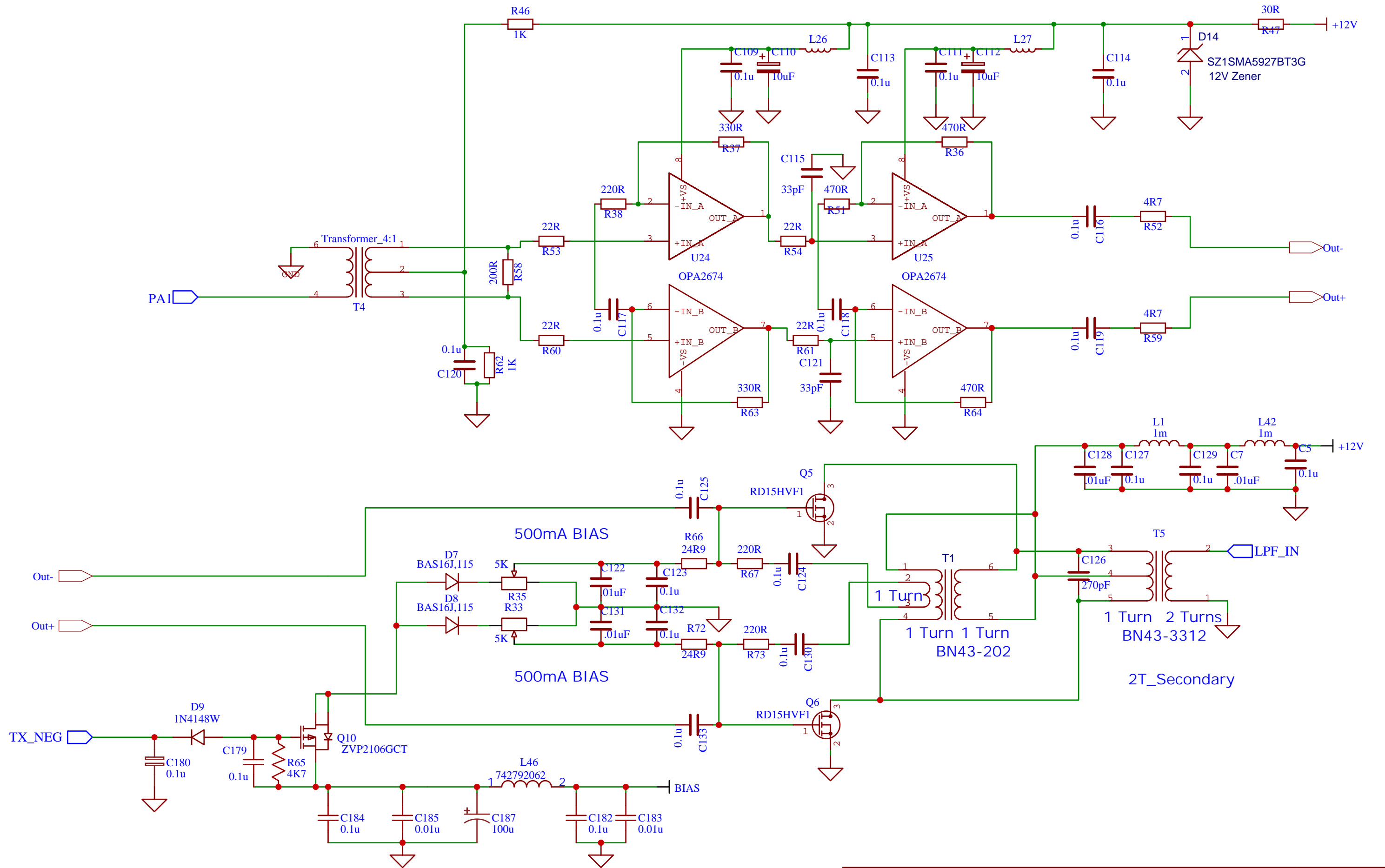


BOOT jumper on 1-2 enables USB bootloader. Park Jumper on 2-3 for normal operation.

TITLE: PSoc, Audio Codec Magnis SDR Rev 7 PCB		REV: 1.0
	Company: N8VET	Sheet: 2/5
	Date: 2021-03-10	Drawn By: N8VET



TITLE: Back End Magnis SDR Rev 7 PCB		REV: 1.0
	Company: N8VET	Sheet: 3/5
	Date: 2021-03-10	Drawn By: N8VET



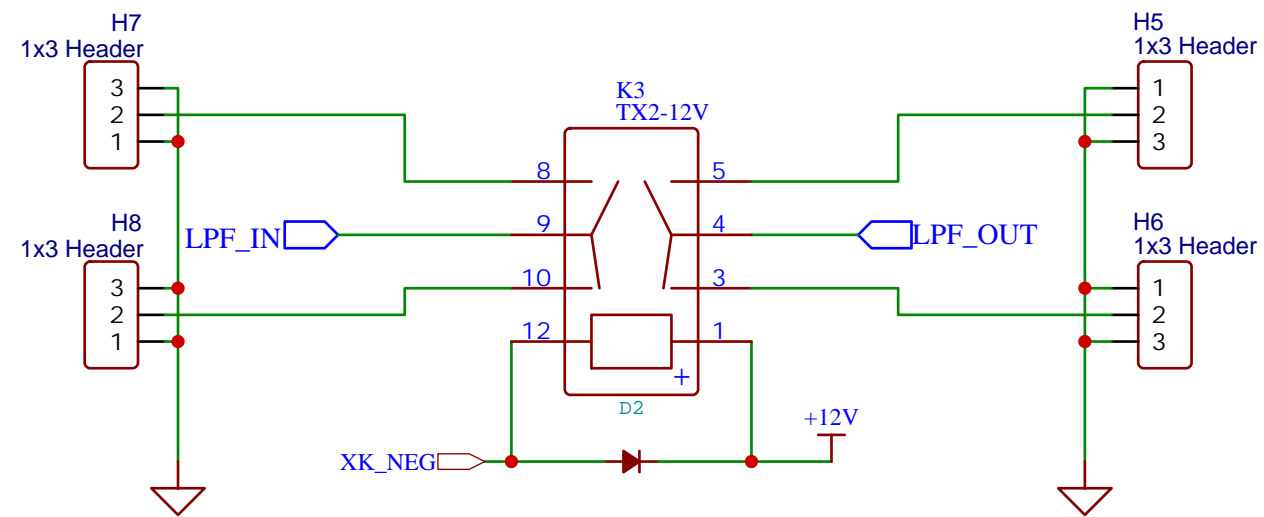
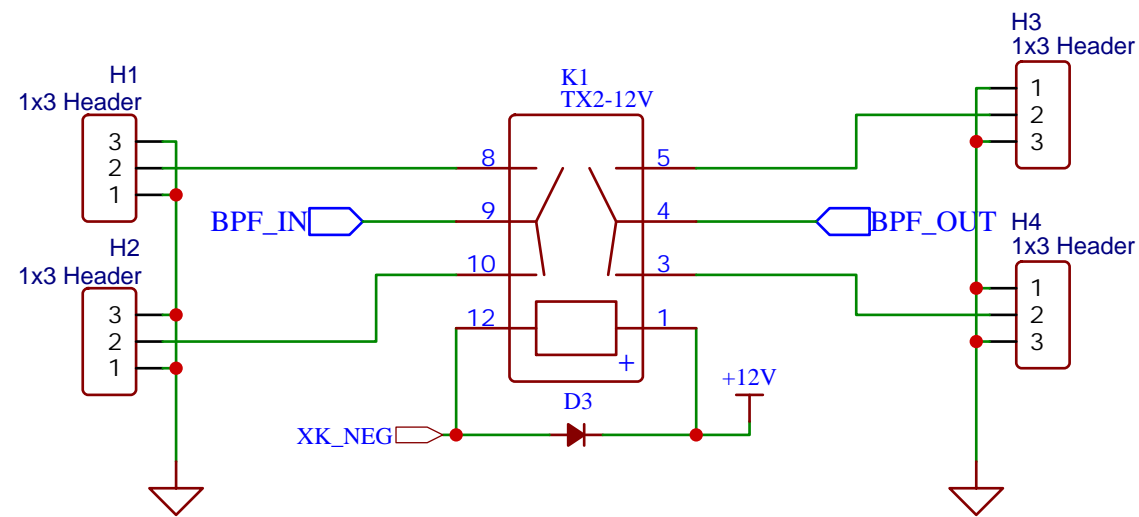
TITLE: Amplifier and Driver Magnis SDR Rev 7 PCB		REV: 1.0
Company: N8VET		Sheet: 4/5
Date: 2021-03-10		Drawn By: N8VET



Headers are for plug in filter modules

Higher Band

Higher Band



Lower Band

Lower Band

See the Band Plan Sheet for component values

Higher Band: 80M, 30/20M, 12/10M

Lower Band: 160M, 60/40M, 17/15M, 6M

Any Higher band in higher position and any lower band in lower position

TITLE: LPF and BPF Magnis SDR Rev 7 PCB		REV: 1.0
EasyEDA	Company: N8VET	Sheet: 5/5
	Date: 2021-03-10	Drawn By: N8VET